



2013

KTA SPINDLE TOOLINGS

ACCESSORIES FOR BT (MAS 403), SK (DIN 69871), HSK (DIN 69893)





ACCESSORIES

INDEX

Sr. No.	CONTENTS	PAGE
1	Nut For 'ER' Collet Chuck: Hexogonal, Slotted Nut, Mini Nut, A Type Nut	1
2	Spanner Type: GS, E Type, EM (Mini), A Type	2
3	Technical Information: UM / ER Sealed Nuts & Sealing Disk	3-8
4	Accessories For HSK Holders: Coolant Tube, Spanner For Coolant Tube & Sealing Plug	9
5	ER Collet Standard DIN 6499	10-13
6	Tap Collet: ER 16, ER 20, ER 25, ER 32, ER 40	14-15
7	Reduction Sleeve For Hydraulic Chuck & DMC Collet	16
8	Straight Collet For Power Milling Chuck	17
9	Clamping Screws & Driver Rings For CSMA	18
11	FMH Tennon	19
11	WN Locking Screw	19
12	PULL STUDS: MAS BT, ISO - 7388, DIN 69872 - TYPE A, DIN 69872 - TYPE B	20
13	ER Collet Chucks (Tang Type) DIN 228 B, (Pull Type) Din 228 A	23
14	ER Collet Chucks: R8 Shank (Bridgeport / M1TR) Type, TR Shank	24
15	Cylindrical Collet Chuck : With M Type Nuts & With Standard Nut	25
16	Cylindrical Die And Mould Chuck (DMC)	26
17	Shrinking Extentions	26
18	Keyless Precision Drill Chuck	27
19	Precision Arbors (din 228 B) Tang Type	27
20	Quick Change Adapter: Type KWES , KWE, KWRE	28

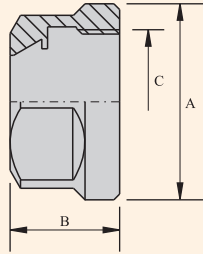
The information in this catalog is believed to be correct . KTA Spindle Toolings , however, assumes no responsibility for any errors , inaccuracies or omissions that may appear in this catalog. Information in this catalog is subject to change without notice and should not be taken as a commitment by KTA Spindle Toolings or it's subsidiaries .

ACCESSORIES



HEXAGONAL NUT FOR 'ER' COLLET CHUCK

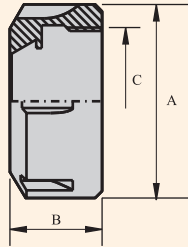
DIN 6499



Item Name	Item Code	A	B	C	Spanner to be used	INR
UM/ER 11	K10183273271139	19.0	11.3	M 14 x 0.75	GS 17	425
UM/ER 16	K10183273272127	28.0	17.50	M 22 x 1.50	GS 25	500
UM/ER 20	K10183273273127	34.0	19.0	M 25 x 1.50	GS 30	500

SLOTTED NUT FOR 'ER' COLLET CHUCK

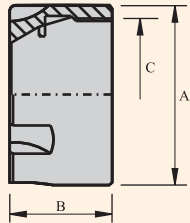
DIN 6499



Item Name	Item Code	A	B	C	Spanner to be used	INR
UM/ER 16	K10183273272134	32.0	17.50	M 22 x 1.5P	E 16	385
UM/ER 20	K10183273273134	34.0	19.0	M 25 x 1.5P	E 20	385
UM/ER 25	K10183273274134	42.0	20.0	M 32 x 1.5P	E 25	385
UM/ER 32	K10183273275134	50.0	22.3	M 40 x 1.5P	E 32	505
UM/ER 40	K10183273276134	63.0	25.3	M 50 x 1.5P	E 40	530
UM/ER 50	K10183273277134	78.0	35.3	M 64 x 2P	E 50	1010

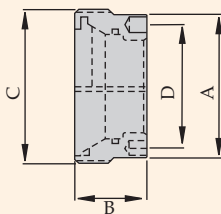
MINI NUT FOR 'ER' COLLET CHUCK

For minimum external diameter.



Item Name	Item Code	A	B	C	Spanner to be used	INR
UM/ER 8M	K10183273270136	12.0	10.8	M 10 x 0.75	E 8M	475
UM/ER 11M	K10183273271136	16.0	11.3	M 13 x 0.75	E 11M	450
UM/ER 16M	K10183273272136	22.0	17.0	M 19 x 1.00	E 16M	450
UM/ER 20M	K10183273273136	28.0	19.0	M 24 x 1.00	E 20M	570
UM/ER 25M	K10183273274136	35.0	20.0	M 30 x 1.00	E 25M	570

ER - A - TYPE NUT

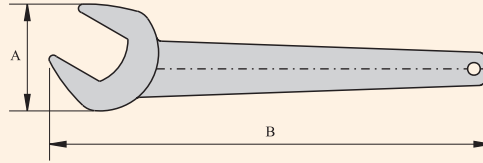


Item Name	Item Code	A	B	C	D	SPANNER TO BE USED	INR
UM/ER 32A	K10183243301127	37.00	18.50	M 40 x 1.5P	31.85	ER 32A	1000
UM/ER 25A	K10183273275210	29.50	12.50	M 32 x 1.5P	23.60	ER 25A	800



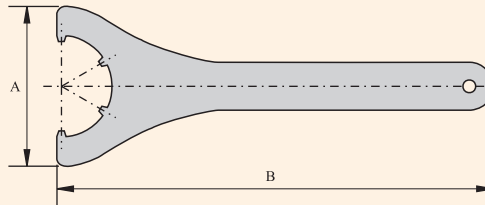
ACCESSORIES

SPANNER TYPE : GS



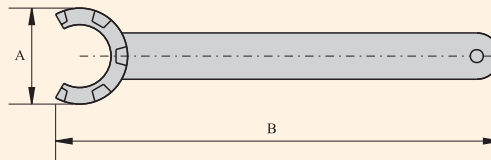
Item Code	Item Code	A	B	Suitable for Nut	INR
Spanner GS 17	K10184361301127	36	155	UM/ER11	120
Spanner GS 25	K10184362301127	50	218	M 22 x 1.50	130
Spanner GS 30	K10184363301127	63	265	M 25 x 1.50	130

SPANNER TYPE : E



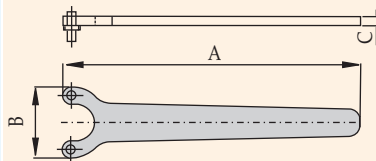
Item Name	Item Name	A	B	Suitable for Nut	INR
Spanner E 16	K10184355301127	50	160	UM/ER 16	300
Spanner E 20	K10184356301127	55	180	UM/ER 20	330
Spanner E 25	K10184357301127	65	210	UM/ER 25	385
Spanner E 32	K10184358301127	75	250	UM/ER 32	440
Spanner E 40	K10184359301127	90	290	UM/ER 40	550
Spanner E 50	K10184360301127	110	350	UM/ER 50	1100

SPANNEER TYPE : EM (MINI)

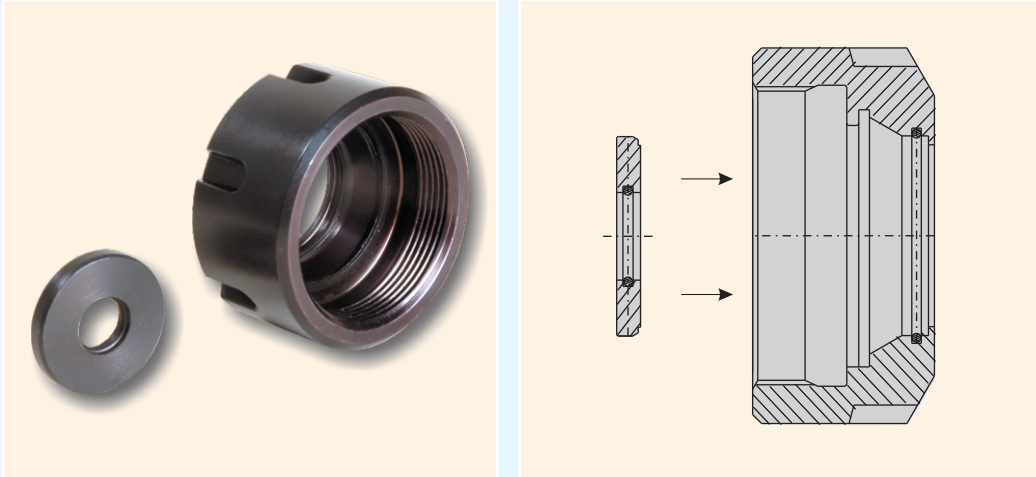


Item Name	Item Name	A	B	Suitable for Nut	INR
Spanner E8M	K10184398301127	12.4	70	ER 8M	360
Spanner E11M	K10184399301127	16.8	90	ER 11M	360
Spanner E16M	K10184400301127	22.5	110	ER 16M	450
Spanner E20M	K10184401301127	29.0	120	ER 20M	500
Spanner E25M	K10184402301127	36.0	130	ER 25M	585

ER - A - TYPE NUT SPANNER



Item Code	Item Code	A	B	C	Suitable for Nut	INR
ER 25A	K10184361301127	130	31	4	UM/ER 25A	500
ER 32A	K10184362301127	150	42	5	UM/ER 32A	400

**TECHNICAL INFORMATION :**

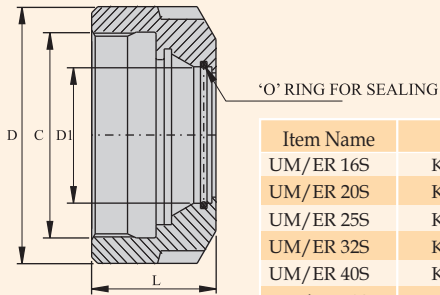
Sealing Nuts along with Sealing Disc has a compact design with very short extension of clamping nuts which gives the following benefits.

- 1) It protects against all kind of dirt and chips entering the slots of the collet.
- 2) Coolant through tools can be used, which gives improved cooling and lubrication of tools and hence increases the tool life.
- 3) Improved chip removal.
- 4) Sealing Disc are available from $\varnothing 3.0$ mm in range of 0.5mm. Hence easy changing of Sealing Disk according to required application.
- 5) No need of expensive sealed collets. Regular collets are best suitable.



ACCESSORIES

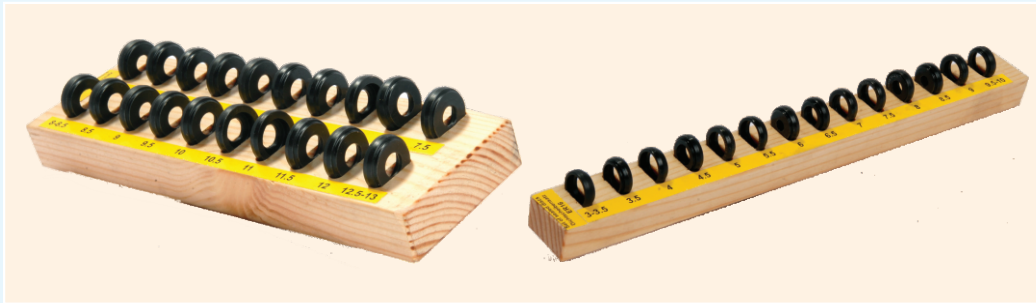
UM/ER SEALED NUTS



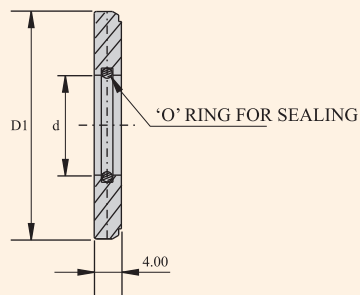
Item Name	Item Code	L	D	D1	C	INR
UM/ER 16S	K10183273272135	22.50	28.00	13.00	M22X1.5	695
UM/ER 20S	K10183273273135	24.00	34.00	16.00	M25X1.5	385
UM/ER 25S	K10183273274135	25.00	42.00	21.00	M32X1.5	385
UM/ER 32S	K10183273275135	27.50	50.00	27.00	M40X1.5	505
UM/ER 40S	K10183273276135	30.50	63.00	33.50	M50X1.5	805
UM/ER 50S	K10183273277135	42.40	78.00	43.50	M64X2	1385

NOTE: Also available in MINI NUT type : ER 'M'

SEALING DISK



Item Name	Item Code	PIECES / SET	INR
SET OR SEALING DISC ER 16 - (3.5 10MM)	K10256149294127	14 Nos	2940
SET OR SEALING DISC ER 20 - (3.5 13MM)	K10256150295127	20 Nos	4200
SET OR SEALING DISC ER 25 - (3.5 16MM)	K10256151296127	26 Nos	5460
SET OR SEALING DISC ER 32 - (3.5 20MM)	K10256152297127	34 Nos	8840
SET OR SEALING DISC ER 40 - (3.5 26MM)	K10256153298127	46 Nos	14250



TYPE	D1	d (Sealing disk holding range in steps of 0.5mm)
ER 16	13.00	3 - 10
ER 20	16.00	3 - 13
ER 25	21.00	3 - 16
ER 32	27.00	3 - 20
ER 40	33.00	3 - 26
ER 50	43.50	10 - 34

Ordering Example :-

Sealing Disk ER 16 : 8.0 - 8.5mm = 2 Nos

Sealing Disk ER 25 : 6.0 - 6.5mm = 2 Nos

SEALING DISC ER 16



Item Name	Item Code	INR
SEALING DISC ER 16 3.0-3.5	K10152149185127	210
SEALING DISC ER 16 3.5-4.0	K10152149186127	210
SEALING DISC ER 16 4.0-4.5	K10152149187127	210
SEALING DISC ER 16 4.5-5.0	K10152149188127	210
SEALING DISC ER 16 5.0-5.5	K10152149189127	210
SEALING DISC ER 16 5.5-6.0	K10152149190127	210
SEALING DISC ER 16 6.0-6.5	K10152149191127	210
SEALING DISC ER 16 6.5-7.0	K10152149192127	210
SEALING DISC ER 16 7.0-7.5	K10152149193127	210
SEALING DISC ER 16 7.5-8.0	K10152149194127	210
SEALING DISC ER 16 8.0-8.5	K10152149195127	210
SEALING DISC ER 16 8.5-9.0	K10152149196127	210
SEALING DISC ER 16 9.0-9.5	K10152149197127	210
SEALING DISC ER 16 9.5-10.0	K10152149198127	210

SEALING DISC ER20

Item Name	Item Code	INR
SEALING DISC ER 20 10.0-10.5	K10152150199127	210
SEALING DISC ER 20 10.5-11.0	K10152150200127	210
SEALING DISC ER 20 11.0-11.5	K10152150201127	210
SEALING DISC ER 20 11.5-12.0	K10152150202127	210
SEALING DISC ER 20 12.0-12.5	K10152150203127	210
SEALING DISC ER 20 12.5-13.0	K10152150204127	210
SEALING DISC ER 20 3.0-3.5	K10152150185127	210
SEALING DISC ER 20 3.5-4.0	K10152150186127	210
SEALING DISC ER 20 4.0-4.5	K10152150187127	210
SEALING DISC ER 20 4.5-5.0	K10152150188127	210
SEALING DISC ER 20 5.0-5.5	K10152150189127	210
SEALING DISC ER 20 5.5-6.0	K10152150190127	210
SEALING DISC ER 20 6.0-6.5	K10152150191127	210
SEALING DISC ER 20 6.5-7.0	K10152150192127	210
SEALING DISC ER 20 7.0-7.5	K10152150193127	210
SEALING DISC ER 20 7.5-8.0	K10152150194127	210
SEALING DISC ER 20 8.0-8.5	K10152150195127	210
SEALING DISC ER 20 8.5-9.0	K10152150196127	210
SEALING DISC ER 20 9.0-9.5	K10152150197127	210
SEALING DISC ER 20 9.5-10.0	K10152150198127	210

SEALING DISC ER 25

Item Name	Item Code	INR
SEALING DISC ER 25 10.0-10.5	K10152151199127	210
SEALING DISC ER 25 10.5-11.0	K10152151200127	210
SEALING DISC ER 25 11.0-11.5	K10152151201127	210
SEALING DISC ER 25 11.5-12.0	K10152151202127	210
SEALING DISC ER 25 12.0-12.5	K10152151203127	210
SEALING DISC ER 25 12.5-13.0	K10152151204127	210
SEALING DISC ER 25 13.0 -13.5	K10152151305127	210
SEALING DISC ER 25 13.5-14.0	K10152151205127	210
SEALING DISC ER 25 14.0-14.5	K10152151206127	210

Ordering Example :-SEALING DISC ER 25 10.5-11.0 = 2 Nos.



ACCESSORIES

Item Name	Item Code	INR
SEALING DISC ER 25 14.5-15.0	K10152151207127	210
SEALING DISC ER 25 15.0-15.5	K10152151208127	210
SEALING DISC ER 25 15.5-16.0	K10152151209127	210
SEALING DISC ER 25 3.0-3.5	K10152151185127	210
SEALING DISC ER 25 3.5-4.0	K10152151186127	210
SEALING DISC ER 25 4.0-4.5	K10152151187127	210
SEALING DISC ER 25 4.5-5.0	K10152151188127	210
SEALING DISC ER 25 5.0-5.5	K10152151189127	210
SEALING DISC ER 25 5.5-6.0	K10152151190127	210
SEALING DISC ER 25 6.0-6.5	K10152151191127	210
SEALING DISC ER 25 6.5-7.0	K10152151192127	210
SEALING DISC ER 25 7.0-7.5	K10152151193127	210
SEALING DISC ER 25 7.5-8.0	K10152151194127	210
SEALING DISC ER 25 8.0-8.5	K10152151195127	210
SEALING DISC ER 25 8.5-9.0	K10152151196127	210
SEALING DISC ER 25 9.0-9.5	K10152151197127	210
SEALING DISC ER 25 9.5-10.0	K10152151198127	210

SEALING DISC ER32

Item Name	Item Code	INR
SEALING DISC ER 32 10.0-10.5	K10152152199127	260
SEALING DISC ER 32 10.5-11.0	K10152152200127	260
SEALING DISC ER 32 11.0-11.5	K10152152201127	260
SEALING DISC ER 32 11.5-12.0	K10152152202127	260
SEALING DISC ER 32 12.0-12.5	K10152152203127	260
SEALING DISC ER 32 12.5-13.0	K10152152204127	260
SEALING DISC ER 32 13.0-13.5	K10152152305127	260
SEALING DISC ER 32 13.5-14.0	K10152152205127	260
SEALING DISC ER 32 14.0-14.5	K10152152206127	260
SEALING DISC ER 32 14.5-15.0	K10152152207127	260
SEALING DISC ER 32 15.0-15.5	K10152152208127	260
SEALING DISC ER 32 15.5-16.0	K10152152209127	260
SEALING DISC ER 32 16.0-16.5	K10152152210127	260
SEALING DISC ER 32 16.5-17.0	K10152152211127	260
SEALING DISC ER 32 17.0-17.5	K10152152212127	260
SEALING DISC ER 32 17.5-18.0	K10152152213127	260
SEALING DISC ER 32 18.0-18.5	K10152152214127	260
SEALING DISC ER 32 18.5-19.0	K10152152215127	260
SEALING DISC ER 32 19.0-19.5	K10152152216127	260
SEALING DISC ER 32 19.5-20.0	K10152152217127	260
SEALING DISC ER 32 3.0-3.5	K10152152185127	260
SEALING DISC ER 32 3.5-4.0	K10152152186127	260
SEALING DISC ER 32 4.0-4.5	K10152152187127	260
SEALING DISC ER 32 4.5-5.0	K10152152188127	260
SEALING DISC ER 32 5.0-5.5	K10152152189127	260
SEALING DISC ER 32 5.5-6.0	K10152152190127	260

Ordering Example :-SEALING DISC ER 32 10.0-10.5 = 2 Nos.

ACCESSORIES



Item Name	Item Code	INR
SEALING DISC ER 32 6.0-6.5	K10152152191127	260
SEALING DISC ER 32 6.5-7.0	K10152152192127	260
SEALING DISC ER 32 7.0-7.5	K10152152193127	260
SEALING DISC ER 32 7.5-8.0	K10152152194127	260
SEALING DISC ER 32 8.0-8.5	K10152152195127	260
SEALING DISC ER 32 8.5-9.0	K10152152196127	260
SEALING DISC ER 32 9.0-9.5	K10152152197127	260
SEALING DISC ER 32 9.5-10.0	K10152152198127	260

SEALING DISC ER 40

Item Name	Item Code	INR
SEALING DISC ER 40 10.0-10.5	K10152153199127	310
SEALING DISC ER 40 10.5-11.0	K10152153200127	310
SEALING DISC ER 40 11.0-11.5	K10152153201127	310
SEALING DISC ER 40 11.5-12.0	K10152153202127	310
SEALING DISC ER 40 12.0-12.5	K10152153203127	310
SEALING DISC ER 40 12.5-13.0	K10152153204127	310
SEALING DISC ER 40 13.0 -13.5	K10152153305127	310
SEALING DISC ER 40 13.5-14.0	K10152153205127	310
SEALING DISC ER 40 14.0-14.5	K10152153206127	310
SEALING DISC ER 40 14.5-15.0	K10152153207127	310
SEALING DISC ER 40 15.0-15.5	K10152153208127	310
SEALING DISC ER 40 15.5-16.0	K10152153209127	310
SEALING DISC ER 40 16.0-16.5	K10152153210127	310
SEALING DISC ER 40 16.5-17.0	K10152153211127	310
SEALING DISC ER 40 17.0-17.5	K10152153212127	310
SEALING DISC ER 40 17.5-18.0	K10152153213127	310
SEALING DISC ER 40 18.0-18.5	K10152153214127	310
SEALING DISC ER 40 18.5-19.0	K10152153215127	310
SEALING DISC ER 40 19.0-19.5	K10152153216127	310
SEALING DISC ER 40 19.5-20.0	K10152153217127	310
SEALING DISC ER 40 20.0-20.5	K10152153218127	310
SEALING DISC ER 40 20.5-21.0	K10152153219127	310
SEALING DISC ER 40 21.0-21.5	K10152153220127	310
SEALING DISC ER 40 21.5-22.0	K10152153221127	310
SEALING DISC ER 40 22.0-22.5	K10152153222127	310
SEALING DISC ER 40 22.5-23.0	K10152153223127	310
SEALING DISC ER 40 23.0-23.5	K10152153224127	310
SEALING DISC ER 40 23.5-24.0	K10152153225127	310
SEALING DISC ER 40 24.0-24.5	K10152153226127	310
SEALING DISC ER 40 24.5-25.0	K10152153227127	310
SEALING DISC ER 40 25.0-25.5	K10152153228127	310
SEALING DISC ER 40 25.5-26.0	K10152153229127	310
SEALING DISC ER 40 3.0-3.5	K10152153185127	310
SEALING DISC ER 40 3.5-4.0	K10152153186127	310
SEALING DISC ER 40 4.0-4.5	K10152153187127	310

Ordering Example :-SEALING DISC ER 32 6.0-6.5 = 2 Nos.



ACCESSORIES

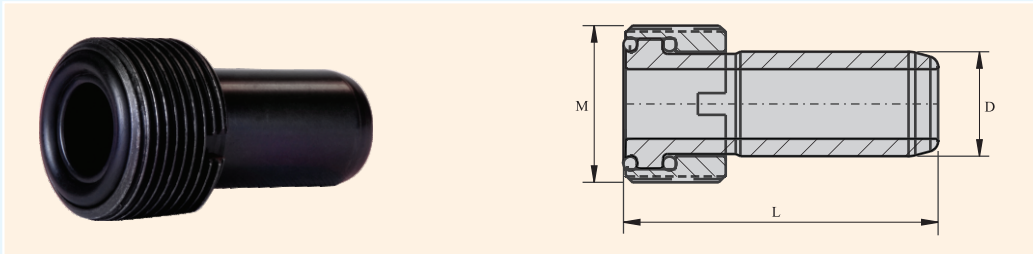
Item Name	Item Code	INR
SEALING DISC ER 40 4.5-5.0	K10152153188127	310
SEALING DISC ER 40 5.0-5.5	K10152153189127	310
SEALING DISC ER 40 5.5-6.0	K10152153190127	310
SEALING DISC ER 40 6.0-6.5	K10152153191127	310
SEALING DISC ER 40 6.5-7.0	K10152153192127	310
SEALING DISC ER 40 7.0-7.5	K10152153193127	310
SEALING DISC ER 40 7.5-8.0	K10152153194127	310
SEALING DISC ER 40 8.0-8.5	K10152153195127	310
SEALING DISC ER 40 8.5-9.0	K10152153196127	310
SEALING DISC ER 40 9.0-9.5	K10152153197127	310
SEALING DISC ER 40 9.5-10.0	K10152153198127	310

Ordering Example :-SEALING DISC ER 40 4.5-5.0 = 2 Nos.

ACCESSORIES



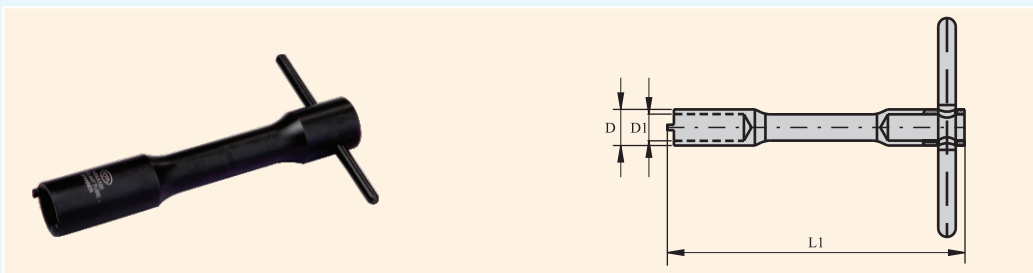
COOLANT TUBE FOR HSK HOLDERS



Item Name	Item Code	M	L	D	INR
HSK-A 50 CT	K10166232301127	M16X1	33.0	10.0	265
HSK-A 63 CT	K10167232301127	M18X1	34.0	12.0	265
HSK-A 100 CT	K10168232301127	M24X1.5	44.0	16.0	330

Ordering Example :-HSK-A 63 Coolant Tube = 2 Nos.

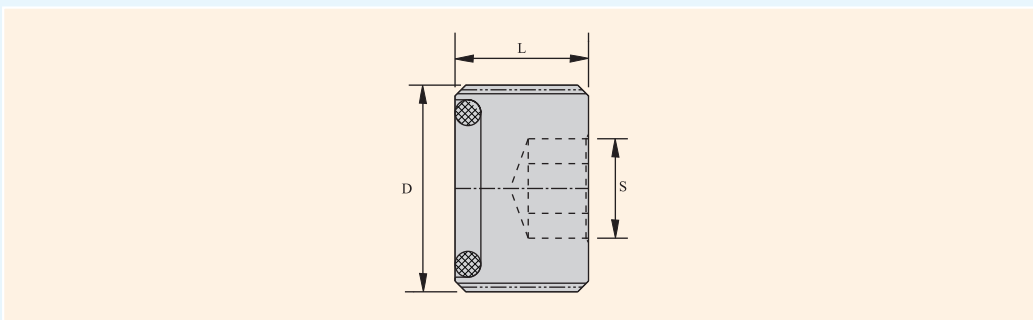
SPANNER FOR HSK COOLANT TUBES



Item Name	Item Code	D1	L1	D	INR
HSK-A 50 CTS	K10166233301127	10.2	115	14.5	550
HSK-A 63 CTS	K10167233301127	12.2	136	16.5	660
HSK-A 100 CTS	K10168233301127	16.2	136	22.0	770

Ordering Example :-HSK-A 50 Spanner = 2 Nos.

SEALING PLUG FOR HSK



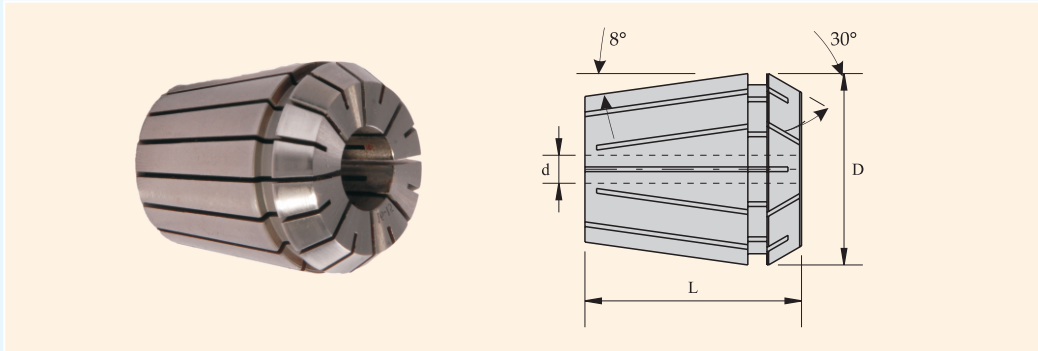
Item Name	Item Code	D	L	S	INR
Sealing Plug For HSK A-50	K10166234301127	M16X1	10	5	90
Sealing Plug For HSK A-63	K10167234301127	M18X1	12	6	100
Sealing Plug For HSK A-10	K10168234301127	M24X1.5	16	10	110

Ordering Example :-HSK-A 50 Sealing Plug = 2 Nos.



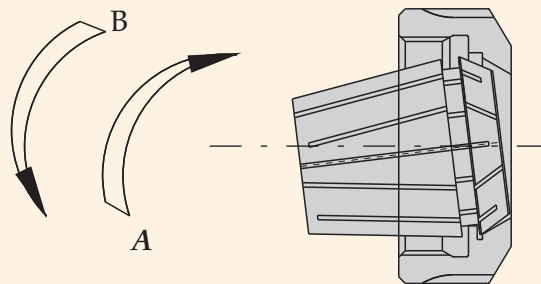
ACCESSORIES

ER COLLET STANDARD DIN 6499



Item Name	Bore Range 'd'			Clamping Capacity per set		Each Collet collapse by mm	D mm	L mm	Price Euro
	From mm	To	in steps mm	From mm	To mm				
ER 8	0.5	5	0.5	0.5	0.5	0.5	8.5	13.5	13.5
ER 11	0.5	7	0.5	0.5	7.0	0.5	11.5	18.0	18.0
ER 16	0.5	10	1.0	0.5	10.0	1.0	17.0	27.0	27.0
ER 20	1.0	13	1.0	1.0	13.0	1.0	21.0	31.0	31.0
ER 25	1.0	16	1.0	1.0	16.0	1.0	26.0	35.0	35.0
ER 32	2.0	20	1.0	2.0	20.0	1.0	33.0	40.0	40.0
ER 40	3.0	26	1.0	3.0	26.0	1.0	41.0	46.0	46.0
ER 50	10.0	34	2.0	10.0	34.0	2.0	52.0	60.0	60.0

The collet must always be inserted into the nut before setting the tool into the collet. The collet is fitted inside the nut by applying slight pressure A. It is removed by applying B to the collet. Never tighten the chuck without a correct size tool shank being present in the collet.



ACCESSORIES



COLLET CLASS I ER 8

Item Name	Item Code	INR
COLLET ER8 DIA 1.5-1.0 - CLASS I	K10153330301207	520
COLLET ER8 DIA 2.0-1.5 - CLASS I	K10153331301207	520
COLLET ER8 DIA 3.0-2.5 - CLASS I	K10153333301207	415
COLLET ER8 DIA 4.0-3.5 - CLASS I	K10153335301207	415
COLLET ER8 DIA 5.0-4.5 - CLASS I	K10153337301207	415

COLLET CLASS I ER 11

Item Name	Item Code	INR
COLLET ER11 DIA 1.5-1.0 - CLASS I	K10154330301207	415
COLLET ER11 DIA 2.0-1.5 - CLASS I	K10154331301207	415
COLLET ER11 DIA 3.0-2.5 - CLASS I	K10154333301207	415
COLLET ER11 DIA 4.0-3.5 - CLASS I	K10154335301207	415
COLLET ER11 DIA 5.0-4.5 - CLASS I	K10154337301207	415
COLLET ER11 DIA 6.0-5.5 - CLASS I	K10154339301207	415
COLLET ER11 DIA 7.0-6.5 - CLASS I	K10154343301207	415

COLLET CLASS I ER 16

Item Name	Item Code	INR
COLLET ER16 DIA 1-0 - CLASS I	K10155291301207	520
COLLET ER16 DIA 2-1 - CLASS I	K10155292301207	455
COLLET ER16 DIA 3-2 - CLASS I	K10155293301207	455
COLLET ER16 DIA 4-3 - CLASS I	K10155294301207	455
COLLET ER16 DIA 5-4 - CLASS I	K10155295301207	455
COLLET ER16 DIA 6-5 - CLASS I	K10155296301207	455
COLLET ER16 DIA 7-6 - CLASS I	K10155297301207	455
COLLET ER16 DIA 8-7 - CLASS I	K10155298301207	455
COLLET ER16 DIA 9-8 - CLASS I	K10155299301207	455
COLLET ER16 DIA 10-9 - CLASS I	K10155300301207	455

COLLET CLASS I ER 20

Item Name	Item Code	INR
COLLET ER20 DIA 10-9 - CLASS I	K10156300301207	465
COLLET ER20 DIA 11-10 - CLASS I	K10156301301207	465
COLLET ER20 DIA 12-11 - CLASS I	K10156302301207	465
COLLET ER20 DIA 13-12 - CLASS I	K10156303301207	465
COLLET ER20 DIA 2-1 - CLASS I	K10156292301207	520
COLLET ER20 DIA 3-2 - CLASS I	K10156293301207	465
COLLET ER20 DIA 4-3 - CLASS I	K10156294301207	465
COLLET ER20 DIA 5-4 - CLASS I	K10156295301207	465
COLLET ER20 DIA 6-5 - CLASS I	K10156296301207	465
COLLET ER20 DIA 7-6 - CLASS I	K10156297301207	465
COLLET ER20 DIA 8-7 - CLASS I	K10156298301207	465
COLLET ER20 DIA 9-8 - CLASS I	K10156299301207	465

Ordering Example :-COLLET ER20 DIA 10-9 - CLASS I = 2 Nos.



COLLET CLASS I ER 25

Item Name	Item Code	INR
COLLET ER25 DIA 2-1 - CLASS I	K10157292301207	520
COLLET ER25 DIA 3-2 - CLASS I	K10157293301207	485
COLLET ER25 DIA 4-3 - CLASS I	K10157294301207	485
COLLET ER25 DIA 5-4 - CLASS I	K10157295301207	485
COLLET ER25 DIA 6-5 - CLASS I	K10157296301207	485
COLLET ER25 DIA 7-6 - CLASS I	K10157297301207	485
COLLET ER25 DIA 8-7 - CLASS I	K10157298301207	485
COLLET ER25 DIA 9-8 - CLASS I	K10157299301207	485
COLLET ER25 DIA 10-9 - CLASS I	K10157300301207	485
COLLET ER25 DIA 11-10 - CLASS I	K10157301301207	485
COLLET ER25 DIA 12-11 - CLASS I	K10157302301207	485
COLLET ER25 DIA 13-12 - CLASS I	K10157303301207	485
COLLET ER25 DIA 14-13 - CLASS I	K10157304301207	485
COLLET ER25 DIA 15-14 - CLASS I	K10157305301207	485
COLLET ER25 DIA 16-15 - CLASS I	K10157306301207	485

COLLET CLASS I ER 32

Item Name	Item Code	INR
COLLET ER32 DIA 2-1 - CLASS I	K10158292301207	560
COLLET ER32 DIA 3-2 - CLASS I	K10158293301207	530
COLLET ER32 DIA 4-3 - CLASS I	K10158294301207	530
COLLET ER32 DIA 5-4 - CLASS I	K10158295301207	530
COLLET ER32 DIA 6-5 - CLASS I	K10158296301207	530
COLLET ER32 DIA 7-6 - CLASS I	K10158297301207	530
COLLET ER32 DIA 8-7 - CLASS I	K10158298301207	530
COLLET ER32 DIA 9-8 - CLASS I	K10158299301207	530
COLLET ER32 DIA 10-9 - CLASS I	K10158300301207	530
COLLET ER32 DIA 11-10 - CLASS I	K10158301301207	530
COLLET ER32 DIA 12-11 - CLASS I	K10158302301207	530
COLLET ER32 DIA 13-12 - CLASS I	K10158303301207	530
COLLET ER32 DIA 14-13 - CLASS I	K10158304301207	530
COLLET ER32 DIA 15-14 - CLASS I	K10158305301207	530
COLLET ER32 DIA 16-15 - CLASS I	K10158306301207	530
COLLET ER32 DIA 17-16 - CLASS I	K10158307301207	530
COLLET ER32 DIA 18-17 - CLASS I	K10158308301207	530
COLLET ER32 DIA 19-18 - CLASS I	K10158309301207	530
COLLET ER32 DIA 20-19 - CLASS I	K10158310301207	530

COLLET CLASS I ER 40

Item Name	Item Code	INR
COLLET ER40 DIA 10-9 - CLASS I	K10159300301207	600
COLLET ER40 DIA 11-10 - CLASS I	K10159301301207	600
COLLET ER40 DIA 12-11 - CLASS I	K10159302301207	600
COLLET ER40 DIA 13-12 - CLASS I	K10159303301207	600
COLLET ER40 DIA 14-13 - CLASS I	K10159304301207	600
COLLET ER40 DIA 15-14 - CLASS I	K10159305301207	600
COLLET ER40 DIA 16-15 - CLASS I	K10159306301207	600

Ordering Example :-COLLET ER40 DIA10-9 - CLASS I = 2 Nos.

ACCESSORIES



Item Name	Item Code	INR
COLLET ER40 DIA 17-16 - CLASS I	K10159307301207	600
COLLET ER40 DIA 18-17 - CLASS I	K10159308301207	600
COLLET ER40 DIA 19-18 - CLASS I	K10159309301207	600
COLLET ER40 DIA 20-19 - CLASS I	K10159310301207	600
COLLET ER40 DIA 21-20 - CLASS I	K10159311301207	600
COLLET ER40 DIA 22-21 - CLASS I	K10159312301207	600
COLLET ER40 DIA 23-22 - CLASS I	K10159313301207	600
COLLET ER40 DIA 24-23 - CLASS I	K10159314301207	600
COLLET ER40 DIA 24-26 - CLASS I	K10159324301207	600
COLLET ER40 DIA 25-24 - CLASS I	K10159315301207	600
COLLET ER40 DIA 26-25 - CLASS I	K10159316301207	600
COLLET ER40 DIA 3-2 - CLASS I	K10159293301207	600
COLLET ER40 DIA 4-3 - CLASS I	K10159294301207	600
COLLET ER40 DIA 5-4 - CLASS I	K10159295301207	600
COLLET ER40 DIA 6-5 - CLASS I	K10159296301207	600
COLLET ER40 DIA 7-6 - CLASS I	K10159297301207	600
COLLET ER40 DIA 8-7 - CLASS I	K10159298301207	600
COLLET ER40 DIA 9-8 - CLASS I	K10159299301207	600

COLLET CLASS I ER 50

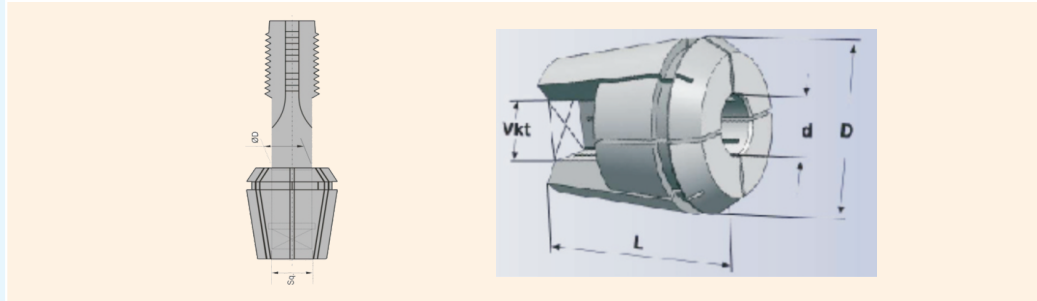
Item Name	Item Code	INR
COLLET ER50 DIA 10-12 - CLASS I	K10196317301207	1250
COLLET ER50 DIA 12-14 - CLASS I	K10196318301207	1250
COLLET ER50 DIA 14-16 - CLASS I	K10196319301207	1250
COLLET ER50 DIA 16-18 - CLASS I	K10196320301207	1250
COLLET ER50 DIA 18-20 - CLASS I	K10196321301207	1250
COLLET ER50 DIA 20-22 - CLASS I	K10196322301207	1250
COLLET ER50 DIA 22-24 - CLASS I	K10196323301207	1250
COLLET ER50 DIA 24-26 - CLASS I	K10196324301207	1250
COLLET ER50 DIA 26-28 - CLASS I	K10196325301207	1250
COLLET ER50 DIA 28-30 - CLASS I	K10196326301207	1250
COLLET ER50 DIA 30-32 - CLASS I	K10196327301207	1250
COLLET ER50 DIA 32-34 - CLASS I	K10196328301207	1250

Ordering Example :- COLLET ER 50 DOA 10-12-CLASS I = 2 Nos.



ACCESSORIES

TAP COLLET ER 16



Item Name	Item Code	INR
Tap Collet ER16G 3.5 x 2.7	K10255479449127	1340
Tap Collet ER16G 4.0 x 3.0	K10255479450127	1340
Tap Collet ER16G 4.5 x 3.4	K10255479451127	1340
Tap Collet ER16G 5.0 x 4.0	K10255479452127	1340
Tap Collet ER16G 6.0 x 4.9	K10255479453127	1340
Tap Collet ER16G 6.3 x 5.0	K10255479454127	1340
Tap Collet ER16G 7.0 x 5.5	K10255479455127	1340
Tap Collet ER16G 8.0 x 6.2	K10255479456127	1340
Tap Collet ER16G 9.0 x 7.1	K10255479458127	1340
Tap Collet ER16G 10.0 x 8.0	K10255479474127	1340

TAP COLLET ER 20

Item Name	Item Code	INR
TAP COLLET ER 20G 3.5 X 2.7	K10255480449127	1440
TAP COLLET ER 20G 4.0 X 3.0	K10255480450127	1440
TAP COLLET ER 20G 4.5 X 3.4	K10255480451127	1440
TAP COLLET ER 20G 5.0 X 4.0	K10255480452127	1440
TAP COLLET ER 20G 6.0 X 4.9	K10255480453127	1440
TAP COLLET ER 20G 6.3 X 5.0	K10255480454127	1440
TAP COLLET ER 20G 7.0 X 5.5	K10255480455127	1440
TAP COLLET ER 20G 8.0 X 6.2	K10255480456127	1440
TAP COLLET ER 20G 9.0 X 7.0	K10255480457127	1440
TAP COLLET ER 20G 10.0 X 8.0	K10255480458127	1440
TAP COLLET ER 20G 11.2 X 9.0	K10255480459127	1440
TAP COLLET ER 20G 12.0 X 9.0	K10255480460127	1440

TAP COLLET ER 25

Item Name	Item Code	INR
TAP COLLET ER 25G 4.5 X 3.4	K10255481451127	1500
TAP COLLET ER 25G 5.0 X 4.0	K10255481452127	1500
TAP COLLET ER 25G 6.0 X 4.9	K10255481453127	1500
TAP COLLET ER 25G 6.3 X 5.0	K10255481454127	1500
TAP COLLET ER 25G 7.0 X 5.5	K10255481455127	1500
TAP COLLET ER 25G 8.0 X 6.2	K10255481456127	1500
TAP COLLET ER 25G 9.0 X 7.0	K10255481457127	1500
TAP COLLET ER 25G 10.0 X 8.0	K10255481458127	1500
TAP COLLET ER 25G 11.2 X 9.0	K10255481459127	1500

ACCESSORIES



Item Name	Item Code	INR
TAP COLLET ER 25G 12.0 X 9.0	K10255481460127	1500
TAP COLLET ER 25G 12.5 X 10.0	K10255481461127	1500
TAP COLLET ER 25G 14.0 X 11.0	K10255481462127	1500
TAP COLLET ER 25G 14.0 X 11.2	K10255481463127	1500
TAP COLLET ER 25G 11.0 X 9.0	K10255481469127	1500
TAP COLLET ER 25G 16.0 X 12.0	K10255481470127	1500

TAP COLLET ER 32

Item Name	Item Code	INR
TAP COLLET ER 32G 5.0 X 4.0 -	K10255482452127	1580
TAP COLLET ER 32G 6.0 X 4.9 -	K10255482453127	1580
TAP COLLET ER 32G 6.3 X 5.0 -	K10255482454127	1580
TAP COLLET ER 32G 7.0 X 5.5 -	K10255482455127	1580
TAP COLLET ER 32G 8.0 X 6.2 -	K10255482456127	1580
TAP COLLET ER 32G 9.0 X 7.0 -	K10255482457127	1580
TAP COLLET ER 32G 10.0 X 8.0 -	K10255482458127	1580
TAP COLLET ER 32G 11.2 X 9.0 -	K10255482459127	1580
TAP COLLET ER 32G 12.0 X 9.0 -	K10255482460127	1580
TAP COLLET ER 32G 12.5 X 10.0 -	K10255482461127	1580
TAP COLLET ER 32G 14.0 X 11.0 -	K10255482462127	1580
TAP COLLET ER 32G 16.0 X 12.5 -	K10255482464127	1580
TAP COLLET ER 32G 18.0 X 14.5 -	K10255482465127	1580
TAP COLLET ER 32G 20.0 X 16.0 -	K10255482466127	1580
TAP COLLET ER 32G 11.0 X 9.0 -	K10255482469127	1580
TAP COLLET ER 32G 16.0 X 12.0 -	K10255482470127	1580

TAP COLLET ER 40

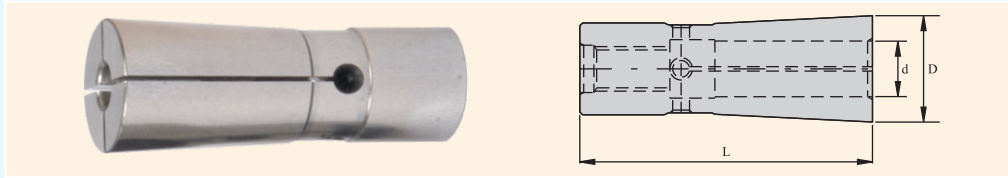
Item Name	Item Code	INR
TAP COLLET ER 40G 6.0 X 4.9	K10255483453127	1890
TAP COLLET ER 40G 6.3 X 5.0	K10255483454127	1890
TAP COLLET ER 40G 7.0 X 5.5	K10255483455127	1890
TAP COLLET ER 40G 8.0 X 6.2	K10255483456127	1890
TAP COLLET ER 40G 9.0 X 7.0	K10255483457127	1890
TAP COLLET ER 40G 10.0 X 8.0	K10255483458127	1890
TAP COLLET ER 40G 11.2 X 9.0	K10255483459127	1890
TAP COLLET ER 40G 12.0 X 9.0	K10255483460127	1890
TAP COLLET ER 40G 12.5 X 10.0	K10255483461127	1890
TAP COLLET ER 40G 14.0 X 11.0	K10255483462127	1890
TAP COLLET ER 40G 14.0 X 11.2	K10255483463127	1890
TAP COLLET ER 40G 16.0 X 12.5	K10255483464127	1890
TAP COLLET ER 40G 18.0 X 14.5	K10255483465127	1890
TAP COLLET ER 40G 20.0 X 16.0	K10255483466127	1890
TAP COLLET ER 40G 22.0 X 18.0	K10255483467127	1890
TAP COLLET ER 40G 25.0 X 20.0	K10255483468127	1890
TAP COLLET ER 40G 11.0 X 9.0	K10255483469127	1890
TAP COLLET ER 40G 16.0 X 12.0	K10255483470127	1890

Ordering Example :-TAP COLLET ER 40G 6.0X4.9 = 2 Nos.



ACCESSORIES

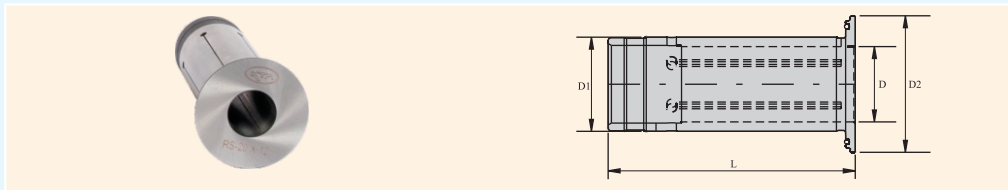
DMC COLLET



Item Name	Item Code	'd'	'L' mm	'D' mm	INR
COLLET DMC 0602	K10108199301127	2	36	9.60	2255
COLLET DMC 0603	K10108200301127	3	36	9.60	1870
COLLET DMC 0604	K10108201301127	4	36	9.60	1870
COLLET DMC 0605	K10108202301127	5	36	9.60	1870
COLLET DMC 0606	K10108203301127	6	36	9.60	1870
COLLET DMC 0803	K10109200301127	3	45	15.00	3300
COLLET DMC 0804	K10109201301127	4	45	15.00	3300
COLLET DMC 0806	K10109203301127	6	45	15.00	3300
COLLET DMC 0808	K10109205301127	8	45	15.00	3300
COLLET DMC 1004	K10110201301127	4	52	19.10	3520
COLLET DMC 1006	K10110203301127	6	52	19.10	3520
COLLET DMC 1008	K10110205301127	8	52	19.10	3520
COLLET DMC 1010	K10110207301127	10	52	19.10	3520

Ordering Example: Collet DMC 0603= 2Nos.

REDUCTION SLEEVE (RS) FOR HYDRAULIC CHUCK



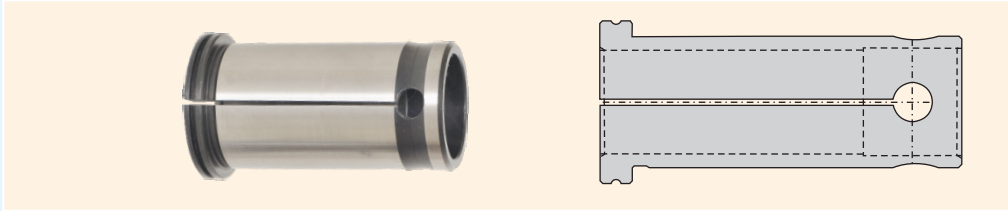
Item Name	Item Code	D	D1	D2	L	INR
RS 20 X 3	K10106182301127	3	20	29	52.5	3600
RS 20 X 4	K10106183301127	4	20	29	52.5	3600
RS 20 X 5	K10106184301127	5	20	29	52.5	3600
RS 20 X 6	K10106185301127	6	20	29	52.5	2400
RS 20 X 7	K10106186301127	7	20	29	52.5	2400
RS 20 X 8	K10106187301127	8	20	29	52.5	2400
RS 20 X 9	K10106188301127	9	20	29	52.5	2400
RS 20 X 10	K10106189301127	10	20	29	52.5	2400
RS 20 X 11	K10106190301127	11	20	29	52.5	2400
RS 20 X 12	K10106191301127	12	20	29	52.5	2400
RS 20 X 13	K10106192301127	13	20	29	52.5	2400
RS 20 X 14	K10106193301127	14	20	29	52.5	2400
RS 20 X 15	K10106194301127	15	20	29	52.5	2400
RS 20 X 16	K10106195301127	16	20	29	52.5	2400
RS 20 X 8	K10107187301127	8	32	39	63.5	3600
RS 20 X 10	K10107189301127	10	32	39	63.5	3600
RS 20 X 12	K10107191301127	12	32	39	63.5	3600
RS 20 X 14	K10107193301127	14	32	39	63.5	3600
RS 20 X 16	K10107195301127	16	32	39	63.5	3600
RS 20 X 18	K10107271301127	18	32	39	63.5	3600
RS 20 X 20	K10107196301127	20	32	39	63.5	3600
RS 20 X 25	K10107197301127	25	32	39	63.5	3600

16 Ordering Example :-RS20X12 = 2 Nos.

ACCESSORIES



STRAIGHT COLLET FOR POWER MILLING CHUCK



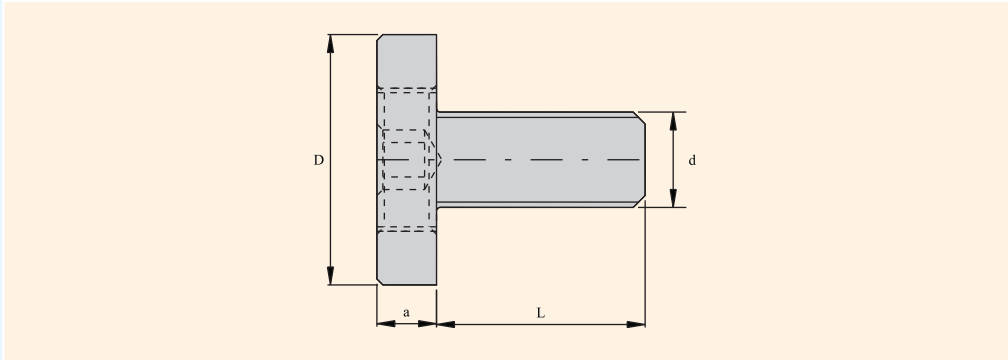
Item Name	Item Code	INR
COLLET C20 K 06	K10252463301127	600
COLLET C20 K 08	K10252464301127	600
COLLET C20 K 10	K10252465301127	600
COLLET C20 K 12	K10252466301127	600
COLLET C20 K 16	K10252467301127	600
COLLET C20 K 06	K10254463301127	800
COLLET C20 K 08	K10254464301127	800
COLLET C20 K 10	K10254465301127	800
COLLET C20 K 12	K10254466301127	800
COLLET C20 K 16	K10254467301127	800
COLLET C20 K 20	K10254468301127	800
COLLET C20 K 25	K10254469301127	800

Ordering Example: Collet C20 K 06= 2Nos.



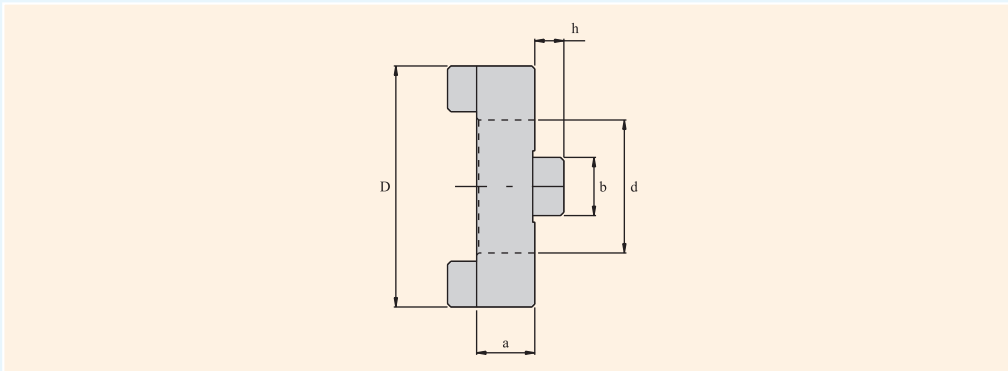
ACCESSORIES

CLAMPING SCREWS FOR CSMA



Clamping Screw	Item Code	'd'	'D'	'a'	'L'	INR
CSMA 16	K10199213301127	M8	20	7.0	25	275
CSMA 22	K10199219301127	M10	28	8.0	25	330
CSMA 27	K10199224301127	M12	35	9.0	35	330
CSMA 32	K10199229301127	M16	42	10.0	35	330
CSMA 40	K10199378301127	M20	52	11.0	40	385

DRIVER RINGS

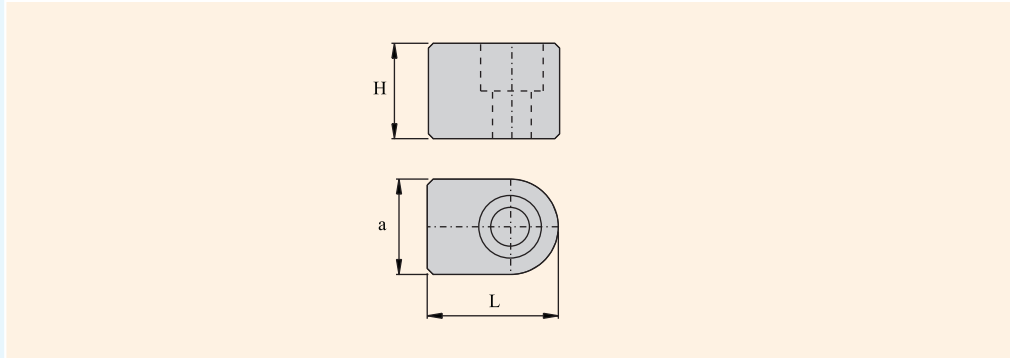


Driver Ring	Item Code	'd'	'D'	'a'	'b'	'h'	INR
16	K10200213301127	16	32	10	8	5.0	330
22	K10200219301127	22	40	12	10	5.6	420
27	K10200224301127	27	48	12	12	6.3	440
32	K10200229301127	32	58	14	14	7.0	660
40	K10200378301127	40	78	14	16	8.0	990

ACCESSORIES

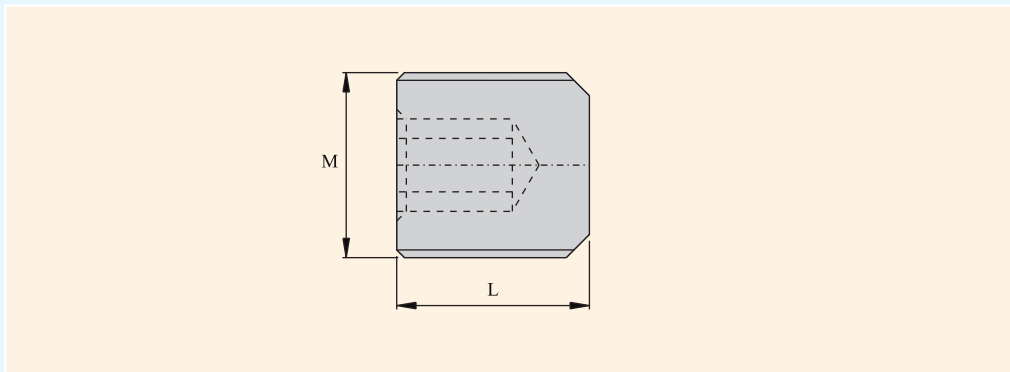


FMH TENNON



Tennon	Item Code	'a'	'L'	'H'	INR
FMH 16	K10202213301127	8	15.0	9.3	110
FMH 22	K10202219301127	10	18.0	11.0	110
FMH 27	K10202224301127	2	20.5	12.8	110
FMH 32	K10202229301127	14	24.0	16.5	165
FMH 40	K10202378301127	16	22.0	16.0	275

WN LOCKING SCREW



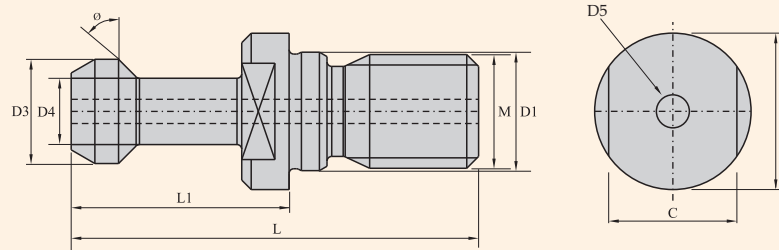
Locking Screw	Item Code	'M'	'L'	INR
M6	K10201379322127	M6	10	55
M8	K10201380323127	M8	10	55
M10	K10201381324127	M10	12	55
M12	K10201382325127	M12	16	110
M14	K10201383326127	M14	16	110
M16	K10201384326127	M16	16	110
M18X2	K10201385327127	M18X2	20	220
M20X2	K10201386327127	M20X2	20	220
M24X2	K10201387327127	M24X2	25	330



PULL STUDS

MAS BT - PULL STUDS

MAS-BT

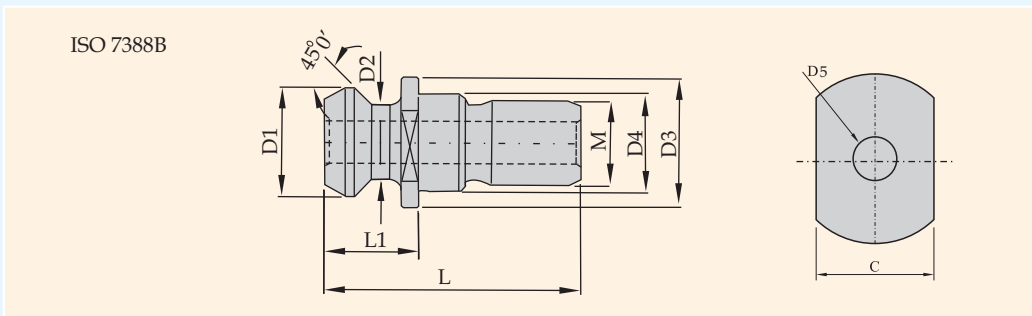
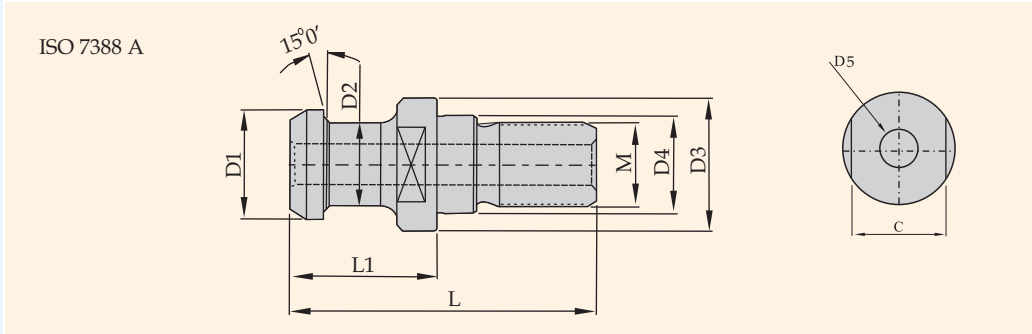


Item Name	Item Code	θ	M	L	L1	D	D1	D3	D4	D5	C	INR
PS BT30 45 DEG T/C	K10195344311125	45	M12	43	23	16.5	12.5	11	7	3	13	170
PS BT30 45 DEG W/TC	K10195344311126	45	M12	43	23	16.5	12.5	11	7	---	13	170
PS BT30 60 DEG T/C	K10195344312125	60	M12	43	23	16.5	12.5	11	7	3	13	170
PS BT30 60 DEG W/TC	K10195344312126	60	M12	43	23	16.5	12.5	11	7	---	13	170
PS BT30 90 DEG T/C	K10195344313125	90	M12	43	23	16.5	12.5	11	7	3	13	170
PS BT30 90 DEG W/TC	K10195344313126	90	M12	43	23	16.5	12.5	11	7	---	13	170
PS BT40 45 DEG T/C	K10195345311125	45	M16	60	35	23	17	15	10	3	19	190
PS BT40 45 DEG W/TC	K10195345311126	45	M16	60	35	23	17	15	10	---	19	190
PS BT40 60 DEG T/C	K10195345312125	60	M16	60	35	23	17	15	10	3	19	190
PS BT40 60 DEG W/TC	K10195345312126	60	M16	60	35	23	17	15	10	---	19	190
PS BT40 90 DEG T/C	K10195345313125	90	M16	60	35	23	17	15	10	3	19	190
PS BT40 90 DEG W/TC	K10195345313126	90	M16	60	35	23	17	15	10	---	19	190
PS BT50 45 DEG T/C	K10195346311125	45	M24	85	45	38	25	23	17	7	30	390
PS BT50 45 DEG W/TC	K10195346311126	45	M24	85	45	38	25	23	17	---	30	390
PS BT50 60 DEG T/C	K10195346312125	60	M24	85	45	38	25	23	17	7	30	390
PS BT50 60 DEG W/TC	K10195346312126	60	M24	85	45	38	25	23	17	---	30	390
PS BT50 90 DEG T/C	K10195346313125	90	M24	85	45	38	25	23	17	7	30	390
PS BT50 90 DEG W/TC	K10195346313126	90	M24	85	45	38	25	23	17	---	30	390

ACCESSORIES

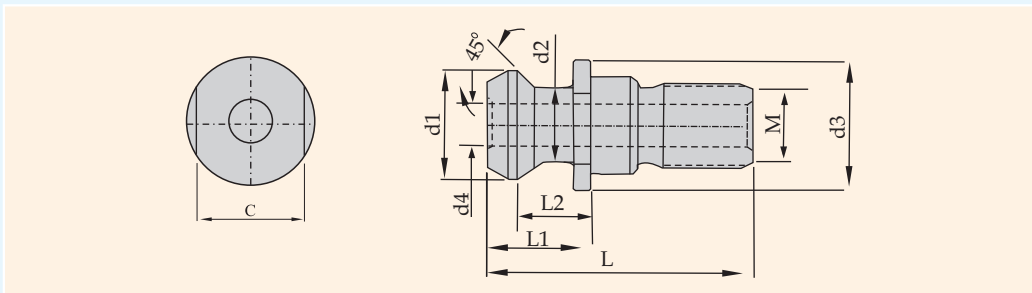


ISO - 7388 PULL STUDS



Item Name	Item Code	M	L	L1	D1	D2	D3	D4	D5	C	INR
PS ISO40 A ISO7388 TC	K10195351309125	M16	54	26	19	14	23	17	7.3	19	230
PS ISO40 A ISO7388 W/TC	K10195351309126	M16	54	26	19	14	23	17	---	19	230
PS ISO50 A ISO7388 TC	K10195352309125	M24	74	34	28	21	36	25	11.5	30	230
PS ISO50 A ISO7388 W/TC	K10195352309126	M24	74	34	28	21	36	25	---	30	230
PS ISO40 B ISO7388 TC	K10195351310125	M16	44.5	16.4	18.8	12.95	22.5	17	7.3	19	230
PS ISO40 B ISO7388 W/TC	K10195351310126	M16	44.5	16.4	18.8	12.95	22.5	17	---	19	230
PS ISO50 B ISO7388 TC	K10195352310125	M24	65.5	25.5	29.1	19.6	37	25	11.5	30	470
PS ISO50 B ISO7388 W/TC	K10195352310126	M24	65.5	25.5	29.1	19.6	37	25	---	30	470

MAZAK PULL STUDS

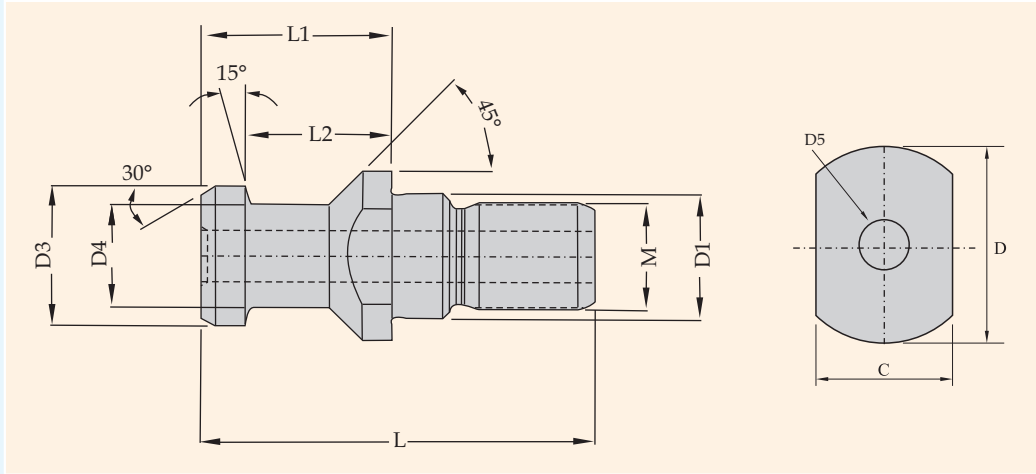


Item Name	Item Code	M	L	L1	L2	D	d1	d2	d3	d4	C	INR
PS MAZAK BT40 T/C	K10195377320125	M16	44.1	19.1	14	22	18.8	12.45	17	7	19	230
PS MAZAK BT40 W/TC	K10195377320126	M16	44.1	19.1	14	22	18.8	12.45	17	---	19	230
PS MAZAK SK40 T/C	K10195377321125	M16	41.1	16.1	11	22	18.8	12.45	17	7	19	470
PS MAZAK SK40 W/TC	K10195377321126	M16	41.1	16.1	11	22	18.8	12.45	17	---	19	470



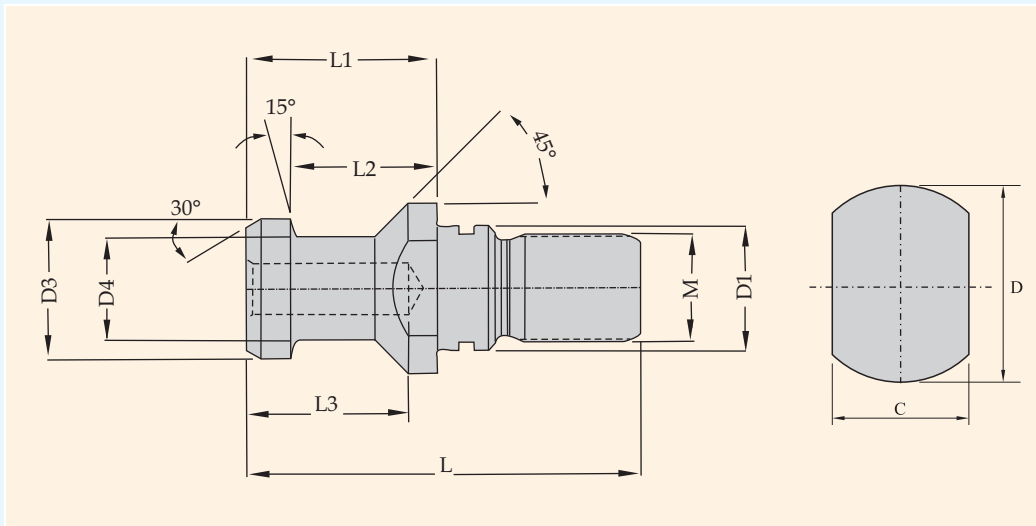
ACCESSORIES

DIN 69872 - TYPE A PULL STUDS



Item Name	Item Code	M	L	L1	L2	D	D1	D3	D4	D5	C	INR
PS SK30 A DIN69872 W T/C	K10195349307126	M12	44	24	19	17	13	13	9	---	14	170
PS SK40 A DIN69872 T/C	K10195347307125	M16	54	26	20	23	17	19	14	7	19	190
PS SK40 A DIN69872 W T/C	K10195347307126	M16	54	26	20	23	17	19	14	---	19	190
PS SK50 A DIN69872 T/C	K10195348307125	M24	74	34	25	36	25	28	21	11.5	30	390
PS SK50 A DIN69872 W T/C	K10195344313125	M24	74	34	25	36	25	28	21	---	30	390

DIN 69872 - TYPE B PULL STUDS



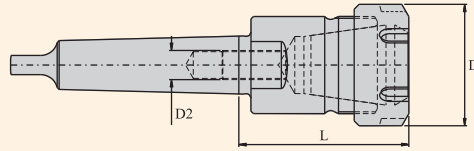
Item Name	Item Code	M	L	L1	L2	L3	D	D1	D3	D4	C	INR
PS SK40 B DIN69872 W T/C	K10195347308126	M16	54	26	20	27	23	17	19	14	19	190
PS SK50 B DIN69872 W T/C	K10195348308126	M24	74	34	25	37	36	25	28	21	30	390

ER COLLET CHUCKS (TANG TYPE) DIN 228 B



MORSE TAPER COLLET CHUCK ER

Maximum runout of the internal taper in relation to the external taper 0.005 mm

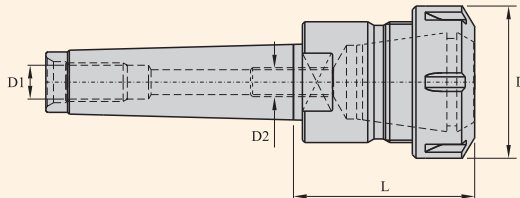
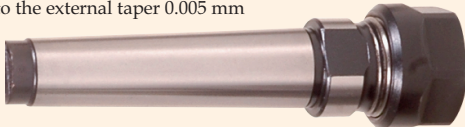


Item Name	Item Code	D	L	D2	Collet Clamping Capacity	Suitable Collet	Suitable Spanner	INR
MT1B ER11025	K10123148101127	19	25	M 6	0.5 - 7	ER 11	GS 17	2420
MT1B ER16045	K10123149108127	28	45	M 6	0.5 - 10	ER 16	GS 25	2420
MT2B ER16042	K10124149107127	28	42	M 6	0.5 - 10	ER 16	GS 25	2650
MT2B ER20048	K10124150110127	34	48	M 8	1 - 13	ER 20	GS 30	2650
MT2B ER25052	K10124151113127	42	52	M10	1 - 16	ER 25	E 25	2650
MT3B ER25052	K10125151113127	42	52	M12	1 - 10	ER 25	E 25	2880
MT3B ER32070	K10125152125127	50	70	M12	2 - 20	ER 32	E 32	2880
MT3B ER40080	K10125153131127	63	80	M16	3 - 26	ER 40	E 40	2880
MT4B ER25052	K10126151113127	42	52	M12	1 - 16	ER 25	E 25	3115
MT4B ER32054	K10126152114127	50	54	M12	2 - 20	ER 32	E 32	3115
MT4B ER40075	K10126153127127	63	75	M16	3 - 26	ER 40	E 40	3115
MT4B ER50105	K10126154152127	78	105	M16	10 - 34	ER 50	E 50	4040
MT5B ER40082	K10127153255127	63	82	M16	3 - 26	ER 40	E 40	4620
MT5B ER50100	K10127154148127	78	100	M16	10 - 34	ER 50	E 50	5775

Ordering Example :- Collet Chuck MT 5 B ER 40082 Tang Type - 2 Nos.

MORSE TAPER COLLET CHUCK ER (PULL TYPE) DIN 228 A

Maximum runout of the internal taper in relation to the external taper 0.005 mm



Item Name	Item Code	D	L	D2	Collet Clamping Capacity	Suitable Collet	Spanner Designation	INR
MT1A ER11025	K10128148101127	19	25	M 6	0.5 - 7	ER 11	GS 17	2420
MT1A ER16045	K10128149108127	28	45	M 6	0.5 - 10	ER 16	GS 25	2420
MT2A ER16042	K10129149107127	28	42	M 6	0.5 - 10	ER 16	GS 25	2650
MT2A ER20048	K10129150110127	34	48	M 8	1 - 13	ER 20	E 20	2650
MT2A ER25052	K10129151113127	42	52	M10	1 - 16	ER 25	E 25	2650
MT3A ER25052	K10130151113127	42	52	M12	1 - 10	ER 25	E 25	2880
MT3A ER32070	K10130152125127	50	70	M12	2 - 20	ER 32	E 32	2880
MT3A ER40080	K10130153131127	63	80	M16	3 - 26	ER 40	E 40	2880
MT4A ER25052	K10131151113127	42	52	M12	1 - 16	ER 25	E 25	3315
MT4A ER32054	K10131152114127	50	54	M12	2 - 20	ER 32	E 32	3315
MT4A ER40075	K10131153127127	63	75	M16	3 - 26	ER 40	E 40	3315
MT4A ER50105		78	105	M16	10 - 34	ER 50	E 50	
MT5A ER40082	K10132153255127	63	82	M16	3 - 26	ER 40	E 40	4620
MT5A ER50100	K10132154148127	78	100	M16	10 - 34	ER 50	E 50	5775

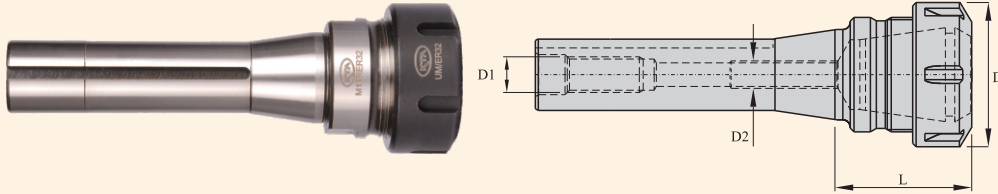
Ordering Example :- Collet Chuck MT 4 A ER 32054 Pull Type = 2 Nos.



ER COLLET CHUCKS

R8 SHANK 'ER' COLLET HOLDERS (BRIDGEPORT / M1TR) TYPE

R 8 / ER



Balanced to G 6.3 - 12,000 RPM.

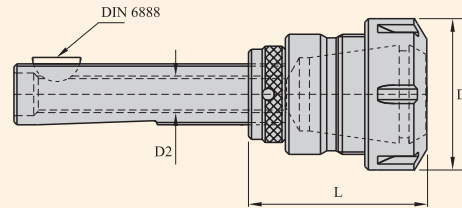
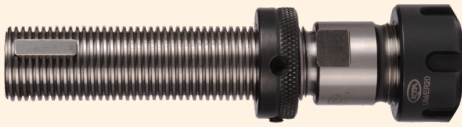
Maximum runout of the internal taper in relation to the external taper 0.005 mm

Item Name	Item Code	D	L	D2	Collet Clamping Capacity	Suitable Collet	Spanner Designation	INR
R8ER320602	K10133152117127	50	60	M12	3 - 20	ER 32	E 32	3025

Ordering Example :-R8 ER 32060 = 2 Nos.

Specify D1 as required : 1) Metric - M 12 x 1.5
2) Inch - 7/16" - 20 UNF - 2A

TR SHANK 'ER' COLLET HOLDERS



Balanced to G 6.3 - 12,000 RPM.

Maximum runout of the internal taper in relation to the external diameter 0.005 mm

Item Name	Item Code	D	L	D2	Collet Clamping Capacity	Suitable Collet	Spanner Designation	INR
TR12ER11050	K10134148111127	19	50	M 6	0.5 - 7	ER 11	GS 17	3365
TR12ER16060	K10134149117127	28	60	M 6	0.5 - 10	ER 16	GS 25	3365
TR16ER16060	K10135149117127	28	60	M 10	0.5 - 1	ER 16	GS 25	3365
TR16ER20060	K10135150117127	34	60	M 10	1.0 - 13	ER 20	E 20	3805
TR20ER20060	K10136150117127	34	60	M 10	1.0 - 13	ER 20	E 20	3805
TR28ER25060	K10193151117127	42	60	M 12	1.0 - 16	ER 25	E 25	4270
TR28ER32060	K10193152117127	50	60	M 12	2.0 - 20	ER 32	E 32	4575

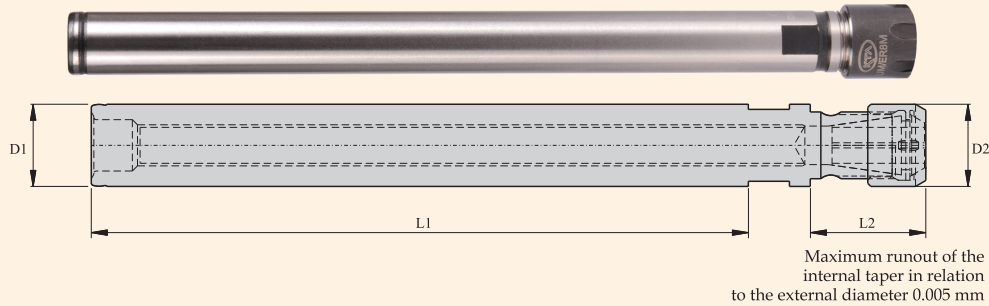
Ordering Example :-TR 28 ER 32060 = 2 Nos.

ER COLLET CHUCKS



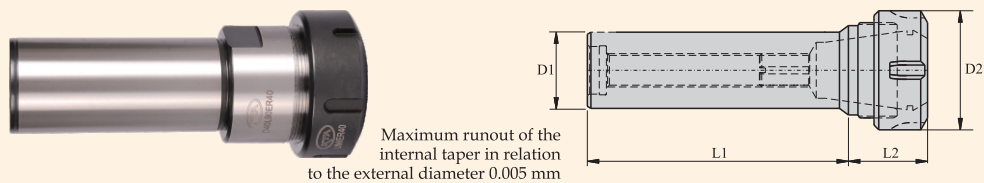
CYLINDRICAL COLLET CHUCK WITH M NUTS

CYL BABY COLLET CHUCKS



Item Name	Item Code	D1	L1	L2	D2 for M Type Nut	Clamping capacity	Suitable Collet	Suitable Spanner	INR
D08L070ER08M	K10115155232127	8	70	21	12	0.5-5	ER 8	E8M	2090
D08L125ER08M	K10115155235127	8	125	21	12	0.5-5	ER 8	E8M	2420
D12L125ER08M	K10117155235127	12	125	16	12	0.5-5	ER 8	E8M	2200
D12L125ER11M	K10117156235127	12	125	27	16	0.5-7	ER11	E11M	2420
D12L150ER11M	K10117157236127	16	150	19	16	0.5-7	ER11	E11M	2420
D12L150ER16M	K10117157236127	12	150	36	22	0.5-10	ER16	E16M	2530
D16L150ER11M	K10118156236127	16	150	36	22	0.5-10	ER16	E16M	2530
D20L150ER16M	K10119149236127	20	150	36	22	0.5-10	ER16	E16M	2530
D20L200ER16M	K10119157237127	20	200	36	22	0.5-10	ER16	E16M	3190
D20L150ER20M	K10119158236127	20	150	37	28	1-13	ER20	E20M	2640
D20L150ER25M	K10119159236127	20	150	46	35	1-16	ER25	E25M	2750
D25L150ER16M	K10120157236127	25	150	36	22	0.5-10	ER16	E16M	3080
D25L150ER20M	K10120158236127	25	150	37	28	1-13	ER20	E20M	3080
D25L150ER25M	K10120159236127	25	150	46	35	1-16	ER25	E25M	3080

ER CYLINDRICAL COLLET CHUCK WITH STANDARD NUTS



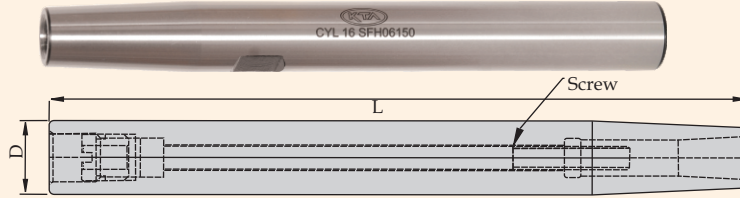
Item Name	Item Code	D1	L1	L2	D2	Clamping capacity	Suitable Collet	Suitable Spanner	INR
D16L060ER16	K10118149231127	16	60	36	28	0.5-10	ER16	Gs25	2090
D16L100ER16	K10118149234127	16	100	36	28	0.5-10	ER16	Gs25	2200
D16L150ER16	K10118149236127	16	150	36	28	0.5-10	ER16	Gs25	2420
D20L100ER16	K10119149234127	20	100	36	28	0.5-10	ER16	Gs25	2200
D20L150ER16	K10119149236127	20	150	36	28	0.5-10	ER16	Gs25	2420
D20L100ER20	K10119150234127	20	100	37	34	1-13	ER20	Gs30	2200
D20L150ER20	K10119150236127	20	150	37	34	1-13	ER20	Gs30	2420
D25L050ER25	K10120151230127	25	50	39	42	1-16	ER25	E25	2200
D32L050ER25	K10121151230127	32	50	39	42	1-16	ER25	E25	2310
D32L060ER32	K10121152231127	32	60	40	50	2-20	ER32	E32	2310
D40L090ER25	K10122151233127	40	90	46	42	1-16	ER25	E25	2640
D40L090ER32	K10122152233127	40	90	52	50	2-20	ER32	E32	2860
D40L090ER40	K10122153233127	40	90	60	63	3-26	ER40	E40	3080

Ordering Example :-D16 L60 ER16 = 2 Nos.



ACCESSORIES

CYLINDRICAL DIE AND MOULD CHUCK (DMC)

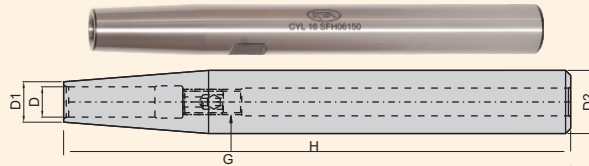


Item Name	Item Code	D	Lmm	Screw	INR
DMC06D5/8"L150	K10214392236127	5/8"	150	M5	3500
DMC06D16L150	K10214395236127	16	150	M5	3500
DMC06D20L200	K10217396237127	20	200	M5	4000
DMC06D25L250	K10214397256127	25	250	M5	6000
DMC08D3/4"L150	K10215393236127	3/4"	150	M6	4000
DMC08D20L150	K10215396236127	20	150	M6	4000
DMC08D20L200	K10215396237127	20	200	M6	6000
DMC08D25L150	K10215397236127	25	150	M6	6000
DMC10D1.0"L150	K10216394236127	1.0"	150	M8	5000
DMC10D25L150	K10216397236127	25	150	M8	5000
DMC10D25L200	K10216397237127	25	200	M8	6000
DMC10D25L250	K10216397256127	25	250	M8	8000

Ordering Example :-DMC06L150-5/8" = 2 Nos.

SHRINKING EXTENTIONS

Runout O/D to I/D is within 0.005 mm

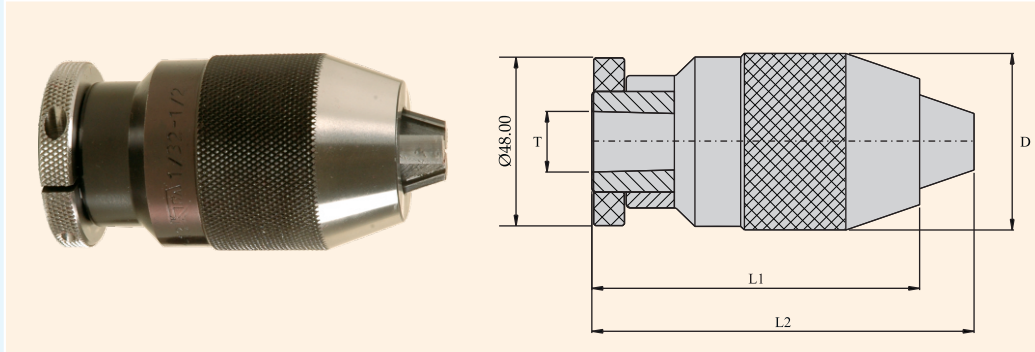


Item Name	Item Code	D	H	G	D1	D2	INR
D 12 SFH 03150	K10117274173127	3	150	-	8	12	4000
D 12 SFH 04150	K10117275173127	4	150	-	8	12	4000
D 16 SFH 03150	K10118274173127	3	150	-	10	16	4000
D 16 SFH 04150	K10118275173127	4	150	-	10	16	4000
D 16 SFH 05150	K10118276173127	5	150	-	10	16	3700
D 16 SFH 06150	K10118277173127	6	150	M5	10	16	3700
D 20 SFH 03150	K10119274173127	3	150	-	10	20	4000
D 20 SFH 04150	K10119275173127	4	150	-	10	20	4000
D 20 SFH 05150	K10119276173127	5	150	-	10	20	3700
D 20 SFH 06150	K10119277173127	6	150	M5	10	20	3700
D 20 SFH 08150	K10119285173127	8	150	M6	12	20	3700
D 20 SFH 10150	K10119279173127	10	150	M8	14	20	3700
D 20 SFH 12150	K10119280173127	12	150	M10	16	20	3700
D 25 SFH 08150	K10120285173127	8	150	M6	20	25	3700
D 25 SFH 10150	K10120279173127	10	150	M8	20	25	3700
D 25 SFH 12150	K10120280173127	12	150	M10	20	25	3700
D 25 SFH 14150	K10120284173127	14	150	M10	20	25	3700
D 25 SFH 16150	K10120281173127	16	150	M12	22	25	3700
D 32 SFH 10150	K10121279173127	10	150	M8	24	32	3700
D 32 SFH 12150	K10121280173127	12	150	M10	24	32	3700
D 32 SFH 14150	K10121284173127	14	150	M10	27	32	3700
D 32 SFH 16150	K10121281173127	16	150	M12	27	32	3700
D 32 SFH 18150	K10121282173127	18	150	M12	27	32	3700
D 32 SFH 20150	K10121283173127	20	150	M16	27	32	3700

ACCESSORIES

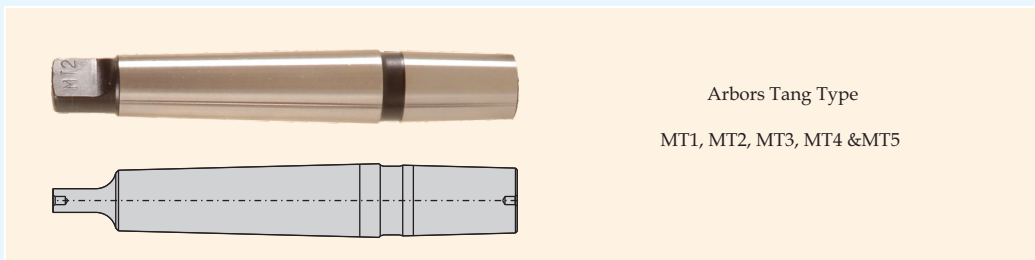


KEYLESS PRECISION DRILL CHUCK



Item Name	Item Code	Mounting Tapers 'T'	L1	L2	D	Wt. In Kg.D	INR
DC065 B 12	K10150246301127	B12	61.5	68	34	0.290	2750
DC065 J 1	K10150247301127	J1	61.5	68	34	0.290	2750
DC065 J 2A	K10150248301127	J2A	61.5	68	34	0.290	2750
DC113 B 16	K10151249301127	B16	90.5	103	50	0.945	2950
DC113 J 6	K10151160301127	J6	90.5	103	50	0.945	2950

PRECISION ARBORS (DIN 228 B) TANG TYPE



Arbors Tang Type

MT1, MT2, MT3, MT4 & MT5

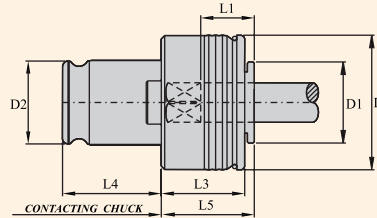
Item Name	Item Code	INR
ARBOR MT2B B12	K10198368316127	310
ARBOR MT2B B16	K10198368317127	310
ARBOR MT2B J1	K10198368318127	310
ARBOR MT2B J6	K10198368319127	310
ARBOR MT3B J6	K10198369319127	410
ARBOR MT4B J6	K10198370319127	670
ARBOR MT5B J6	K10198371319127	935



QUICK CHANGE ADAPTER

TYPE KWES SIZE : 0, 1, 2, 3 & 4

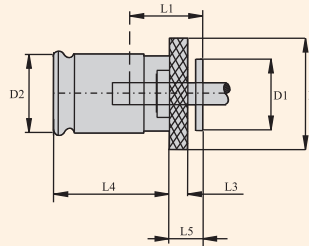
Quick Change Tapping Chuck Type KWES/B



Ordering Example : TAP ADAPTOR : KWES/1B M8 Ø 10X8sq. = 2Nos.

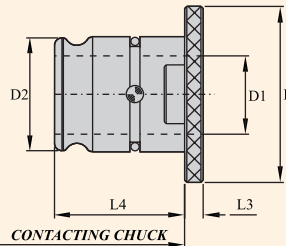
Item Name	For Taps		Suitable for Chuck Size	D dia.	D1 dia.	D2 dia.	l1	l3	l4	l5	approx. Weight kgs.	INR
	Thread dia.	Shank dia.										
WES 0B	M1 - M10	2.5 - 7.2	0	23	13	13	15	20	19.5	21	0.060	1330
WES 1B	M3 - M12	3.5 - 11.3	1	32	19	19	17	25	21.5	25	0.150	1330
WES 2B	M8 - M20	7.0 - 18.0	2	50	30	31	30	32	35.0	34	0.550	1750
WES 3B	M14 - M33	11.0 - 28.0	3	72	48	48	44	41	55.5	45	1.700	4990
WES 4B	M22 - M48	18.0 - 36.0	4	95	60	60	71	61	63.0	68	3.300	8350

TAP ADAPTOR (WITHOUT SAFETY CLUTCH) TYPE - KWE 1



Item Name	For Taps		Suitable for Chuck Size	D Dia.	D1 Dia.	D2 Dia.	L1	L2	L3	L4	Approx. Weight kgs.	INR
	Thread Dia.	Shank Dia.										
KWE 1	M3 - M12	3.5 - 11.3	QSFL 3-12	30	19	19	17	4	21.5	7	0.060	490
KWE 2	M8 - M20	7 - 12	QSFL 8-20	48	30	31	30	5	35	11	0.250	830

QUICK CHANGE TAPPING CHUCK TYPE KWRE[REDUCTION SOCKET]



Ordering Example : REDUCER : KWRE 2/1/ = 2Nos.

Item Name	Suitable For Chuck Size	Adaptor Size	D dia.	D1 dia.	D2 dia.	L3	L4	INR
KWRE 2/1	2	1	48	19	31	5	35.0	755
KWRE 3/1	3	1	70	19	48	6	55.5	1510
KWRE 3/2	3	2	70	31	48	6	55.5	1510
KWRE 4/2	4	2	92	31	60	13	60.0	4320
KWRE 4/3	4	3	92	48	60	13	60.0	4320

NOTE





KTA Spindle Toolings
Corporate Office &
Works : Pune

KTA Spindle Toolings

Works : 246/9, Hinjewadi, Near Tata Johnson,
Tal. Mulshi, Dist. Pune. Pin - 411 057.
(MAHARASHTRA) INDIA.

Tel. Works :+91 20 - 64001283, 66740039, 20270680

Fax Works:+91 20 - 66740038

E-mail : info@ktaspindletoolings.com,
sales@ktaspindletoolings.com

Visit us at : www.ktaspindletoolings.com

DEALERS